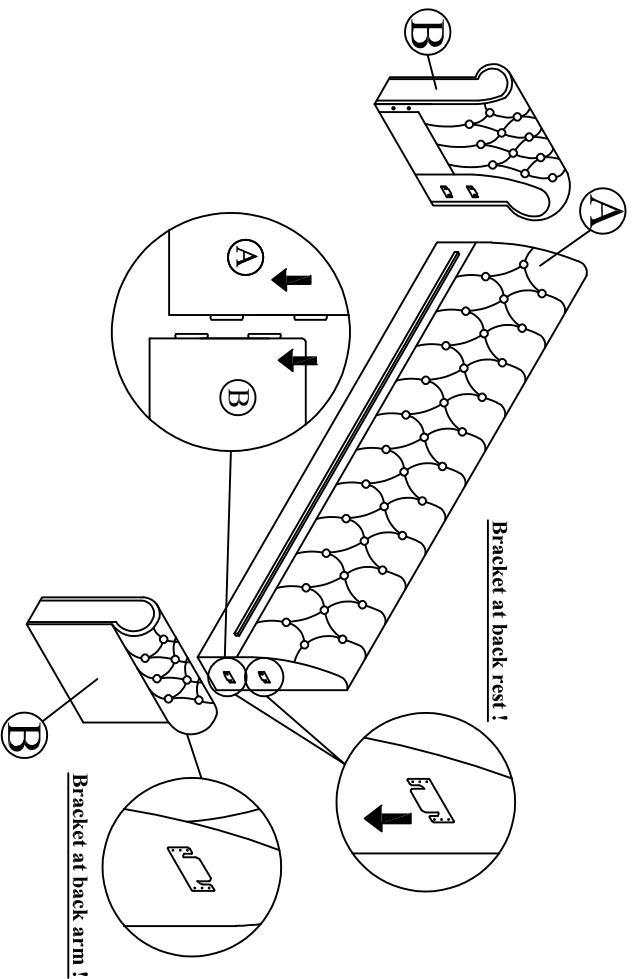


# ASSEMBLY INSTRUCTION

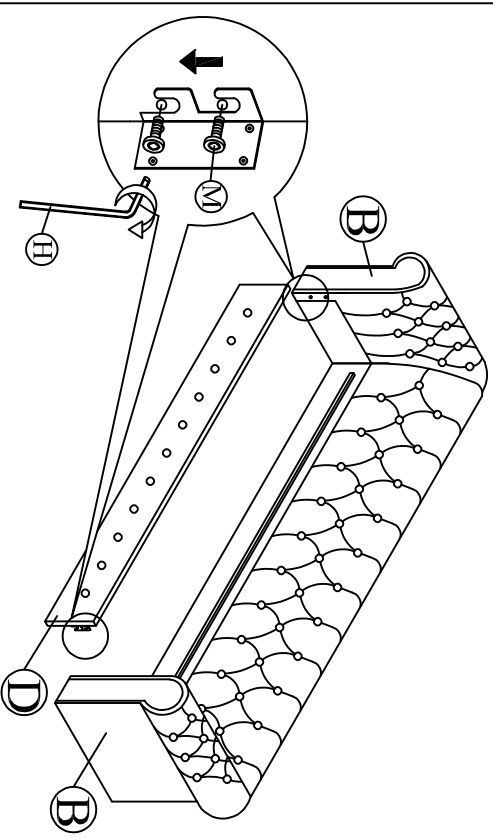
MODEL : CF 5018-B  
3 SEATER

A	Back Rest	1 pc
B	Arm	2 pcs
C	Sitter	2 pcs
D	Side Rail	1 pc
E	Legs 75 x 150(H)	4 pcs
F	Slat 484mm	12 pcs
G	End Holder	24 pcs
H	M5 x 70 mm	1 pc
I	M4 x 65 mm	1 pc
J	CSK Screw 32mm	2 pcs
K	Small Adjuster	1 pc
L	JCBC M6 x 40	1 pc
M	JCBB M8 X 20	4 pcs
N	Support Legs 250mm	1 pc
O	Slat 492mm	1 pc
P	Carpet Pad	4 pcs

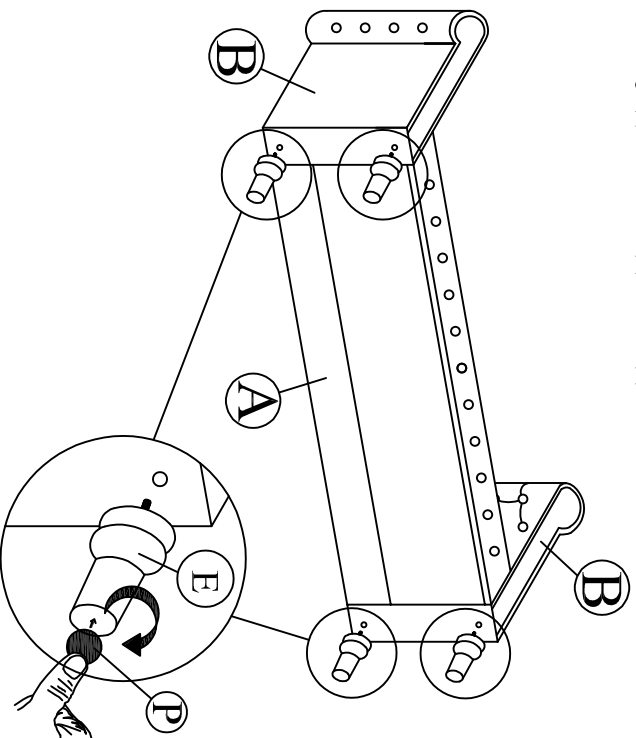
Step 1 : Attach the arm (B) to the back rest (A) by pushing the bracket down to fit it.



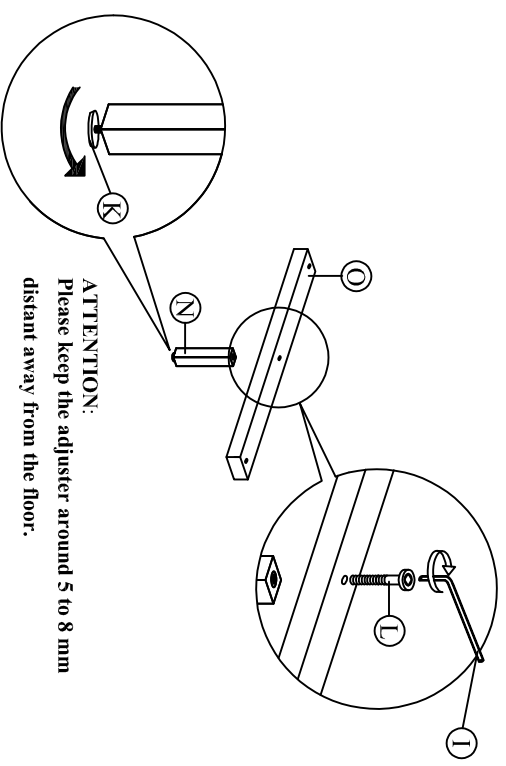
Step 2 : Attach the side rail (D) to the arm (B).



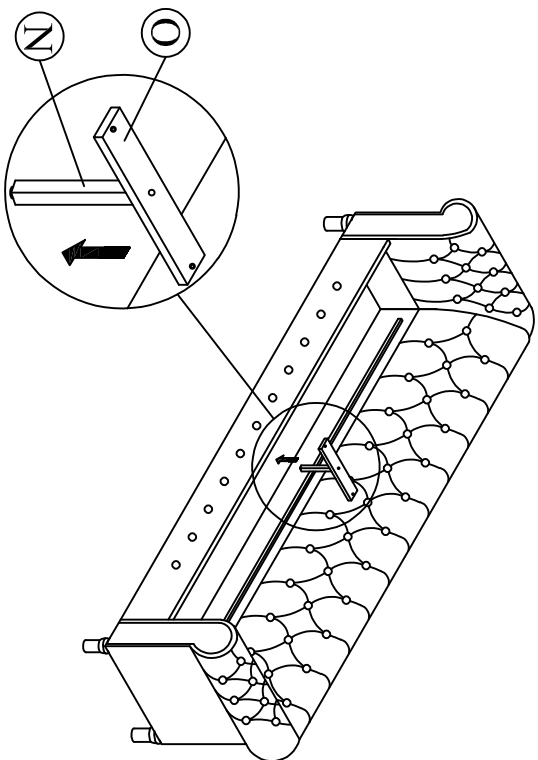
Step 3 : Install the legs (E) to back rest (A) and arm (B).



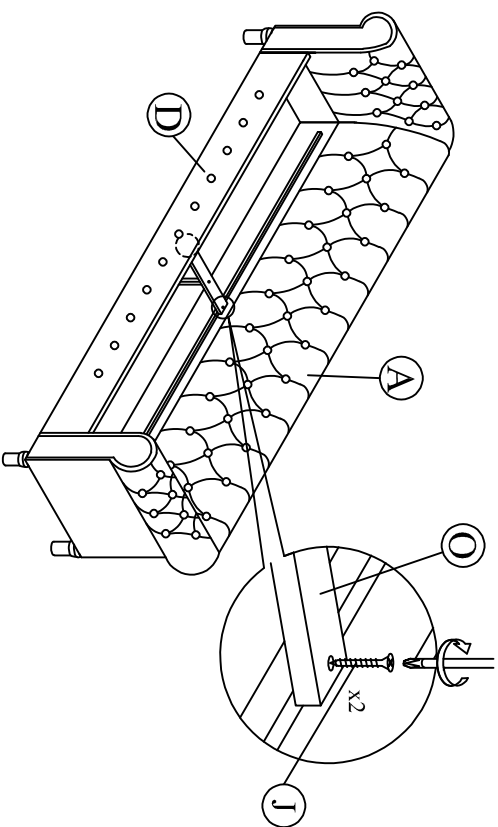
Step 4 : Attach the support legs (N) to the slat (O) of the sofa as shown.



Step 5 : Attach the slat (N) and support legs (O) to the center of back rest (A) and side rail (D).



Step 6: Attach the slat (O) to the back rest (A) and side rail (D).



Step 7 : Assembly of the slat holders with LVL slats as shown. Attach the sifter (C) to the arm (B), side rail (D) and back rest (A).

